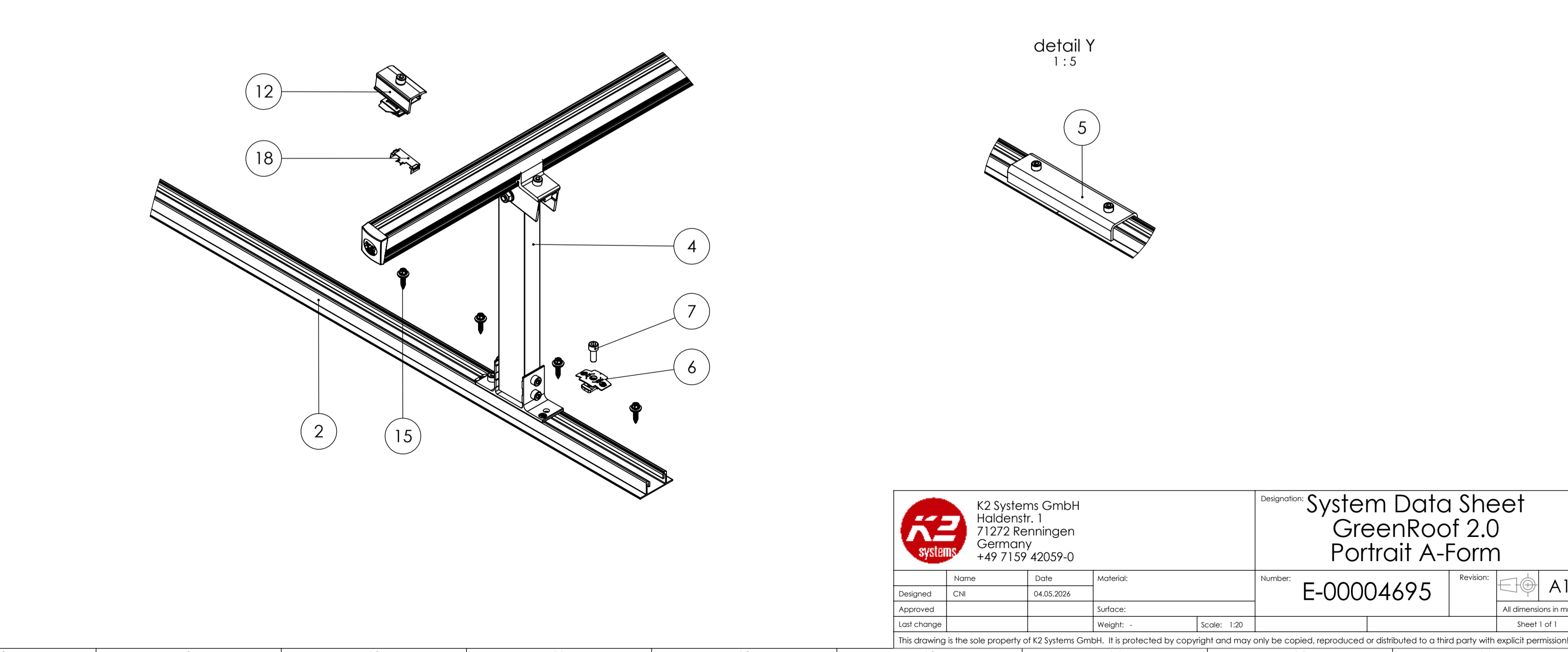


Project specific geometry is determined by row spacing, module length and clamping position in our planning software K2 Base. Calculated values are given for your project in your project's K2 Base report.

Pos.No.	Designation	Alternatively
1	PE-Plate REN 600x800	
2	K2 BasicRail 22	
3	GreenRoof 2.0 Support 576	GreenRoof 2.0 Support 674
4	GreenRoof 2.0 Support 376	
5	Dome FlatConnector Set	
6	MK2	
7	Socket head bolt - serrated - sim. ISO 4762 - M8x20 - A2-70	
9	SingleRail 50 EndCap	SingleRail 36 EndCap
10	SingleRail 36/50 RailConnector	
11	K2 Clamp MC 25-40 Black	XS Clamp MC Black
12	K2 Clamp EC 25-40 Black	XS Clamp EC 30 / 33 / 35 Black
14	Metal perforated tie 17 x 0,8 - 10m	
15	Thread-forming metal screw 6x25_rs	
16	Betonstein 300x300x108	
17	Multi-Monti concrete screw 7.5x40	
18	TerraGrif QL	

example configurations

Module length	Module inclination	Clamping position Dc	height front h	height back	distance foot M2	GreenRoof 2.0 Support 576	GreenRoof 2.0 Support 674	SingleRail 36	SingleRail 50
mm	°	mm	mm	mm	mm	-	-	-	-
1762	10	305	396	731	1005	o			o
1800	10	325	392	735	1002	o	o		o
1800	15	325	363	859	981		o	o	o
1961	10	405	378	748	1003	o			o
1961	15	405	343	879	982		o	o	o
1762	10	305	382	717	1005	o		o	o
1762	15	305	355	840	983			o	o
1800	10	325	378	721	1002	o		o	o
1800	15	325	350	845	981		o	o	o
1961	10	405	364	735	1003	o		o	o
1961	15	405	329	866	982		o	o	o



K2 Systems GmbH
Haldenstr. 1
71272 Renningen
Germany
+49 7159 42059-0

System Data Sheet
GreenRoof 2.0
Portrait A-Form

Number: E-00004695

Revision: A1

All dimensions in mm
Sheet 1 of 1

This drawing is the sole property of K2 Systems GmbH. It is protected by copyright and may only be copied, reproduced or distributed to a third party with explicit permission!